

# FBs-RTD16

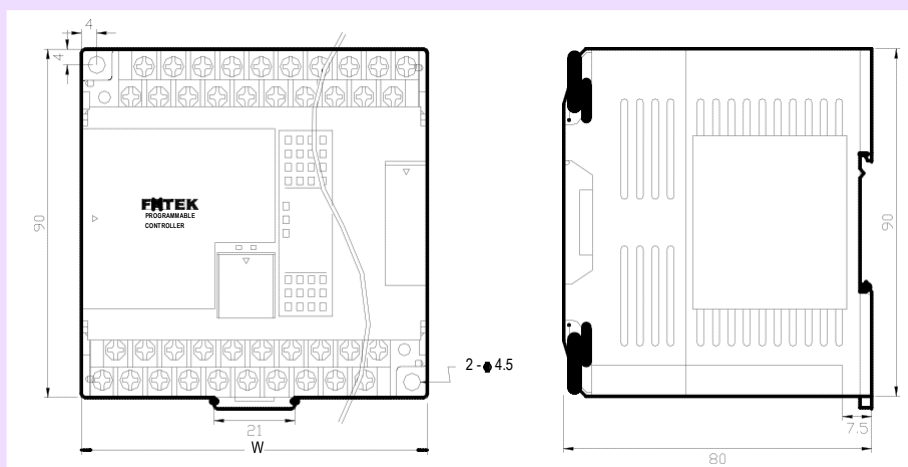
## 16 Channel RTD Temperature Input Module



### Introduction

FBs-RTD16 is one of the temperature input modules of FATEK FBs series PLC. It provides 16 channels of RTD temperature measurement input with 0.1 °C or 1 °C resolution. The scan rate for 0.1 °C resolution is 4 seconds, while the scan rate for 1 °C resolution is 2 seconds. This module provides three-wire connection for RTD temperature sensor, thus can automatically compensate the resistance introduced by the wiring.

### Dimensions



### Specifications

**Total Channels** - 16 CH

**Resolution**- 0.1 °C or 1 °C

**I/O Points Occupied** –

1 RI(Input Register)

8 Discrete Output(DO)

**Conversion Time**- 2 or 4Seconds

**Accuracy**- ±1 %

**Sensor Type**- Pt-100, Pt1000 (JIS or DIN)

**Software Filter**- Moving average

**Average Samples**- 1,2,4,8,16 configurable

**Measurement Range**-

Pt100: -200~850°C

Pt1000: -200~600°C

**Isolation**- Transformer(Power) and photo-coupler(Signal)

**Indicator(s)** – 5V PWR LED

**Supply Power**- 24V-15%/+20%, 2VA

**Internal Power Consumption**- 5V, 100mA

**Operating Temperature**- 0 ~ 60 °C

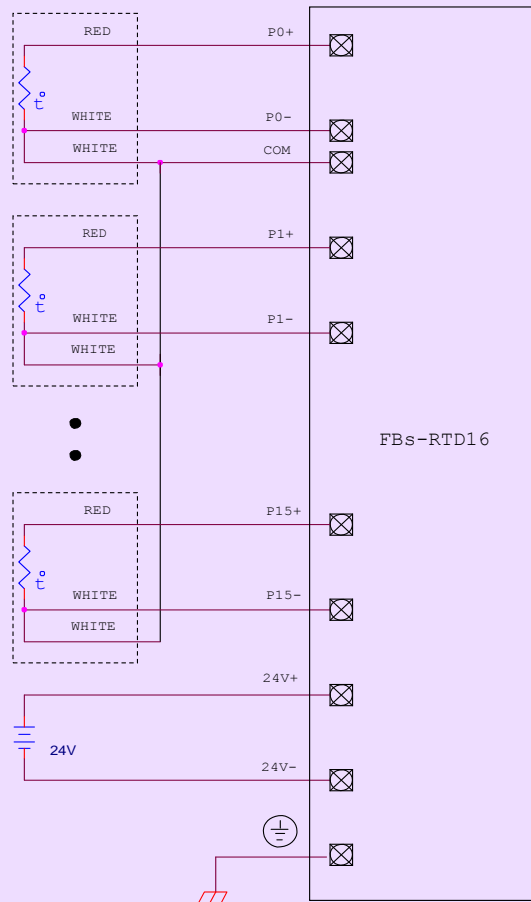
**Storage Temperature**- -20 ~ 80 °C

**Dimensions**- 90(W)x90(H)x80(D) mm

# FBs-RTD16

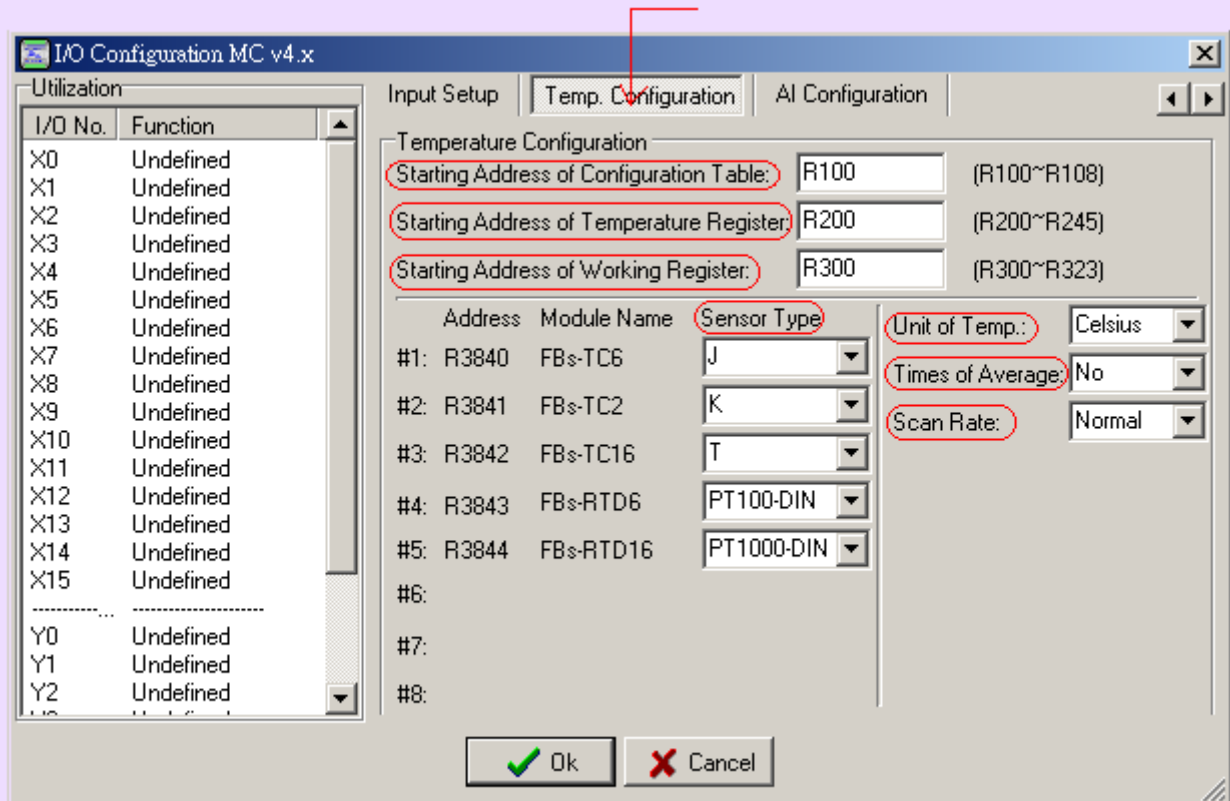
## 16 Channel RTD Temperature Input Module

### Wiring Diagram



### I/O Configuration

Before the temperature value can be retrieved, the user should perform the I/O configuration of temperature module with the help of Winproladder software. The following screen will be shown when perform the I/O configuration



The user need to assign a starting register of a contiguous register area for holding temperature reading value and areas for storing the configuration table and working scratchpad and define the sensor type, unit of temperature, scan speed and samples for average. Please refer the advanced manual II for detail explanation.