

Thank you for purchasing FATEK HMI. Before installing or operating the unit, please read this installation guide carefully to ensure correct use.

1. Safety Precautions (Read these precautions before use.)

1.1 General

- Unpack and check the delivery for transportation damage. If any damage or deformation is found, please notify the supplier.
- The supplier is not responsible for the disassembled, altered or modified device.
- Never allow fluid or any conductive particles to enter into the HMI. Otherwise, it may damage the HMI, cause fire or malfunction.
- Only qualified personnel may install the HMI, perform maintenance and inspection.
- The liquid crystal inside the LCD panel is a hazardous substance. If the panel is damaged, avoid contact with the leaked liquid crystal. If the liquid crystal spills on clothing or skin, use soap and wash off thoroughly. In case of eye contact the liquid, hold the eye open, flush with plenty water and get medical attention as soon as possible.
- Do not touch any terminals while the power is on. Otherwise, it may cause injury due to electrical shock.
- Disconnect the power supply before installing the HMI, do wiring operation, perform maintenance or inspection. Otherwise, it may cause damage or electrical shock.

1.2 Installation

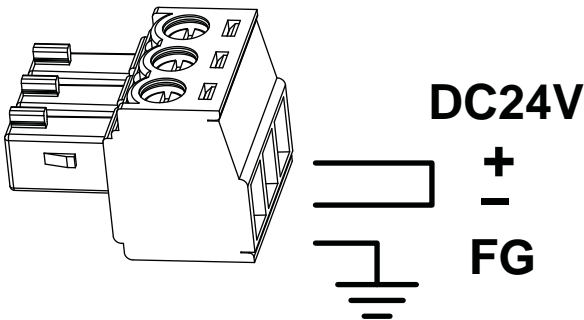
- The installation may be carried out by qualified personnel only.
- Install the HMI according to the installation procedures.
- Check the power source voltage is within the specified range and the polarity is correct before connecting the HMI.
- Keep signal and power supply cables away from high-voltage, large-current carrying cables.



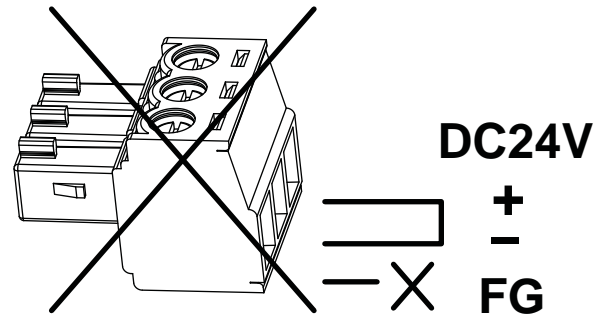
Caution

Make sure the HMI is properly grounded to prevent electrical shock, fire or malfunction.

Recommended



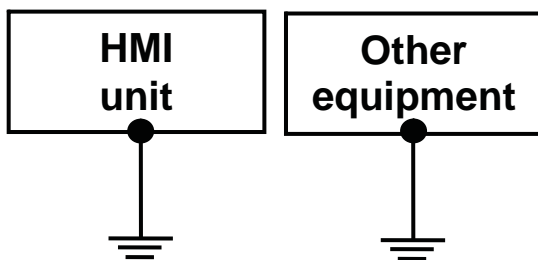
Prohibited



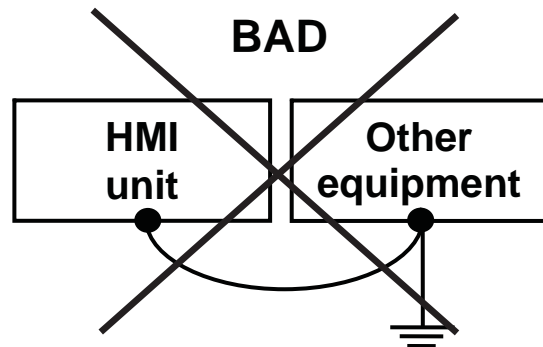
No Connected

- HMI unit and other equipment should have the same electrical grounding (reference voltage level), otherwise communication errors may occur.

GOOD



BAD



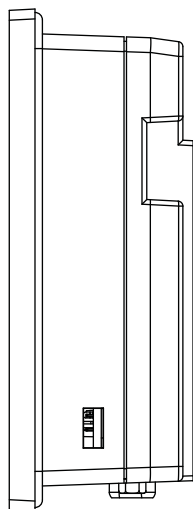
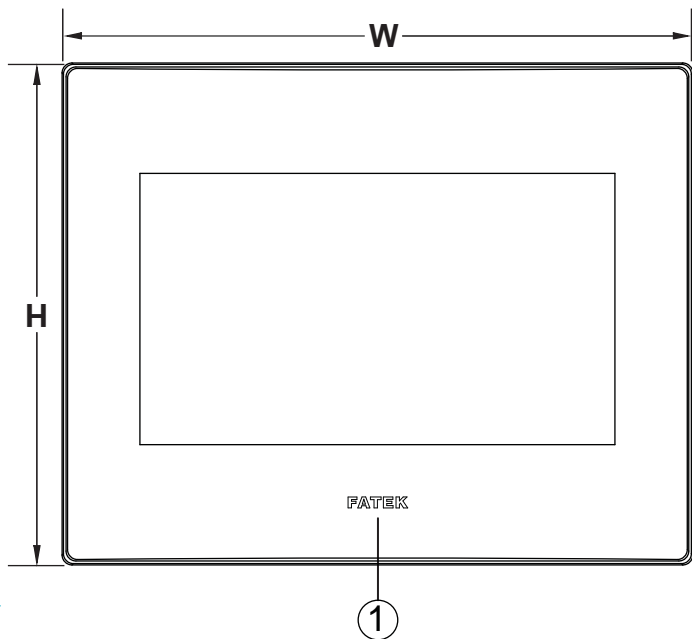
1.3 Operation

- Do not use sharp objects or excessive force to press the touch screen. This may damage the touch screen. HMSP043 screen protector can be applied to the HMI screen to protect it from damage, for ordering information, please contact our sales department.
- Do not use the output signal of the device as any safety function or system emergency stop. It may result in personal injury or equipment damage if a malfunction of the touch occurs.

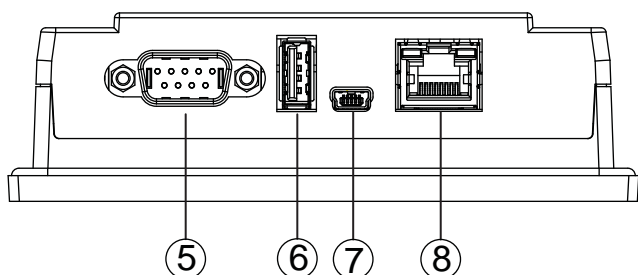
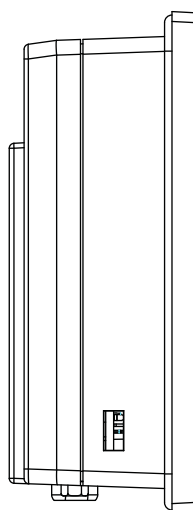
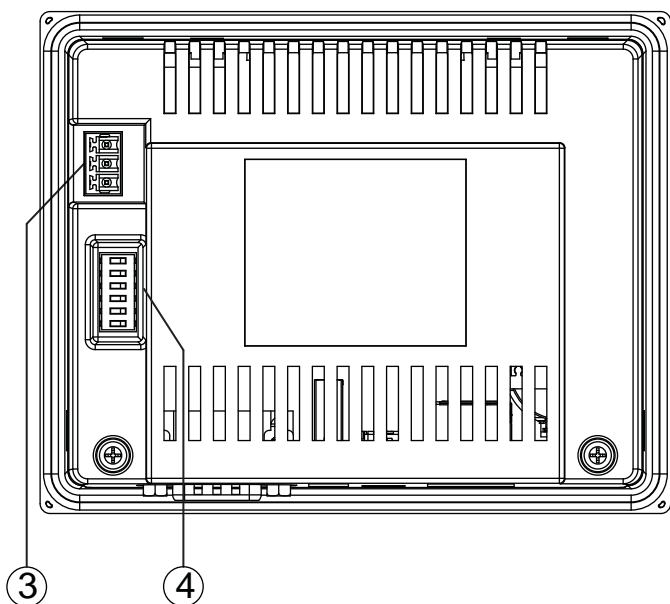
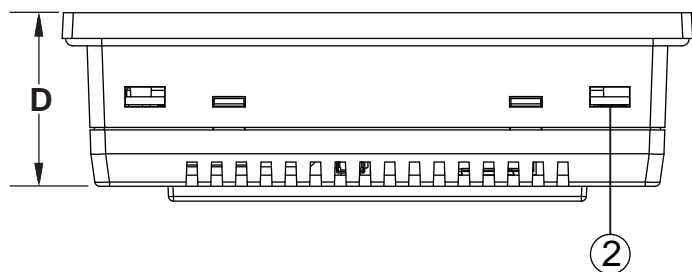
1.4 Maintenance and Service

- The agreed guarantee applies.
- Only qualified personnel should make repairs and perform maintenance.
- Disconnect the device from the power supply before carrying out cleaning or maintenance.
- Clean the front panel with a soft cloth and mild detergent.
- Please use original replacement spare parts or accessories.

2. Part Names and Dimensions



①	Power Indicator Light
②	Mounting Hole
③	Power Connector
④	COM2/COM3 Termination Switch
⑤	COM1/COM2/COM3: DB-9 Male Connector
⑥	USB Connector
⑦	Mini USB Connector
⑧	Ethernet RJ45 Connector (for N model)

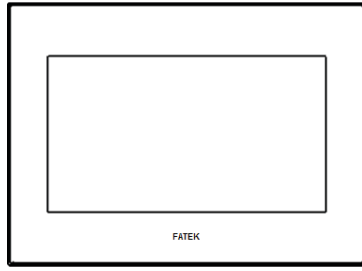


W	128.0 mm
H	102.0 mm
D	38.1 mm

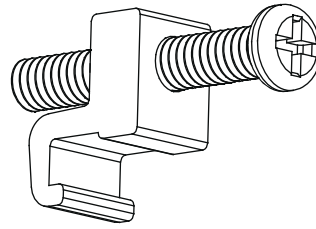
3. Specifications

Model		P5043S	P5043N
UL 61010-1 Technical Consideration	Type of item tested	Control	
	Product Description	Operator Panel	
	Connections to mains supply	Permanent	
	Overvoltage category	II	
	Pollution degree	2	
	Means of Protection	Class III	
	Environmental conditions	Operating Temp. 0~50°C Storage Temp. -20 ~ 60°C	
	For use in wet locations	No	
	Equipment mobility	Built in	
	Operating conditions	Continuous	
	Overall size	128.0 x 102.0 x 38.1 (mm)	
	Weight	215 (g)	235 (g)
	Marked degree of protection	Front panel: IP65 / Rear Case: IP20 to IEC 60529 Type 1 to UL 50E	
	Equipment classification	Industrial, Professional, Commercial	
	Equipment class	Class III	
	Equipment type	Permanently connected, Fixed	
I/O Port	Serial 1	Connector: D-Sub 9-Pin COM1: RS-232 (TXD, RXD) COM2: RS-422/485 COM3: RS-485	
	Serial 2	---	
	LAN	---	10M/100M
	USB	USB2.0 Type-A (Host)x1 USB2.0 Type mini-B (Device)x1	
	Micro SD	---	
	Audio	---	
	PLC Extension	---	
	Termination Switch	Yes (For RS-422/485)	
Power	Power Input	24VDC±20%	
	Consumption	350mA@24VDC	
	Insulation	50MΩ at 500VDC	
Environment	Relative Humidity	10%~90%@ 40°C (non-condensing)	
	Withstand Voltage	AC500V/20mA/1 Min. (between charger & FG terminals)	
	Vibration	5 to 9Hz Half-amplitude: 3.5mm 9 to 150 Hz Constant acceleration: 19.6m/s ² (2G) 3 directions of X, Y, Z: 10times (IEC61131-2 complaints)	
	Noise Suppression	1000Vp-p, width 1us, rising time 1ns	
	Grounding Resistance	Below 100Ω	
Dimension	Cut-out	118.5 x 92.5 (mm)	

4. Unpacking the Unit



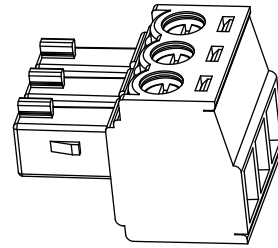
FATEK HMI x1



Hook and Screw x4

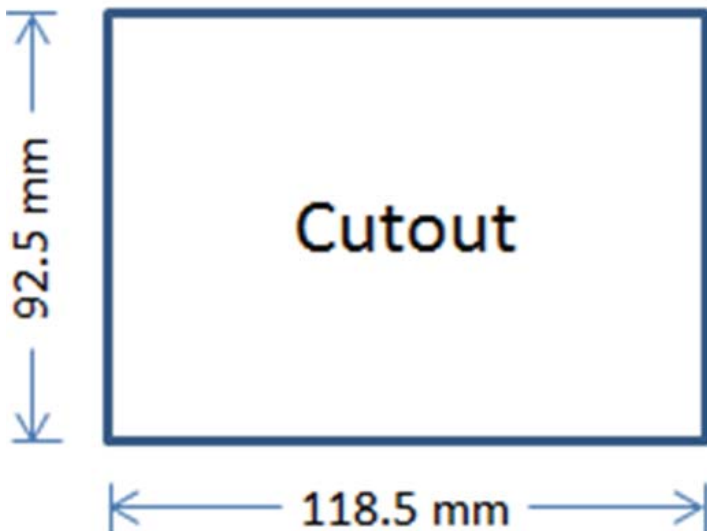
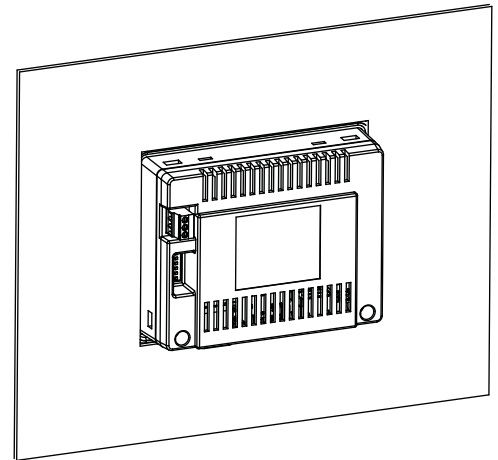
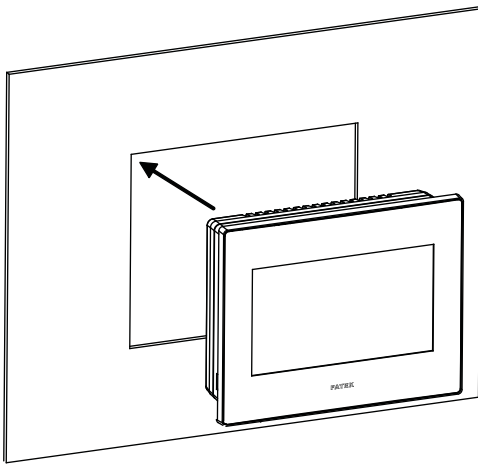


A4 Double-sided Installation Guide x1



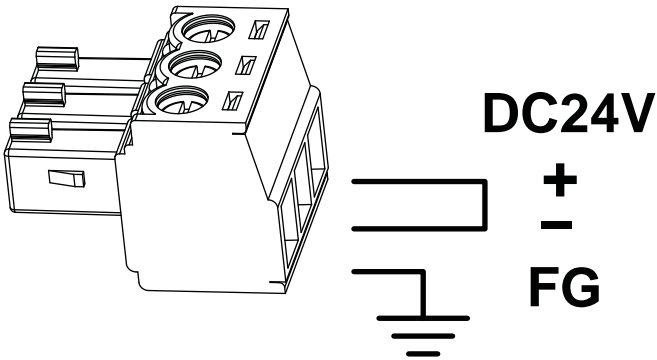
Power Connector x1

5. Installation Procedures



- Push the HMI into the cutout until the waterproof ring contacts the plate.
- Insert a hook into each mounting hole on the HMI, and then tighten the screws evenly with a moderate torque.
- Failure to tighten the screws may cause the HMI to fall, malfunction or short-circuit. Excessive tightening may cause deformation. The necessary torque is about 0.16N·m.

6. Power Connection

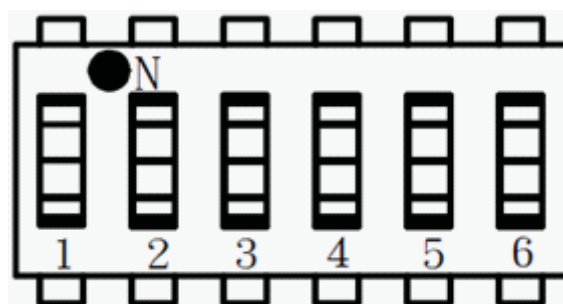


- Be sure to connect the ground FG terminal to a class-3 ground (Ground resistance should not exceed 100Ω). Try to make the ground wire as short as possible.
- Use 28 – 12 AWG (0.5 – 1.5 mm²) wire for the power connections.

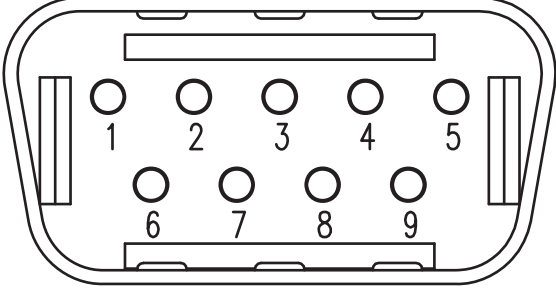
7. Termination Switch

- P5043S/N HMI has a built-in termination resistor switch.
To enable or disable the termination resistor please follow the configuration shown in the table below. The termination switch is for COM2 [RS-422 / RS-485] and COM3 [RS-485].
- Configuration of Termination Resistor Switch.

Termination Resistor						
No.	COM2 [RS-422]		COM2 [RS-485]		COM3 [RS-485]	
	Enable	Disable	Enable	Disable	Enable	Disable
1	ON	OFF	OFF	OFF	OFF	OFF
2	ON	OFF	OFF	OFF	OFF	OFF
3	ON	OFF	ON	OFF	OFF	OFF
4	ON	OFF	ON	OFF	OFF	OFF
5	OFF	OFF	OFF	OFF	ON	OFF
6	OFF	OFF	OFF	OFF	ON	OFF



8. Pin-out of COM Ports

DB-9 Male Connector				
				
PIN#	COM1 [RS-232]	COM2 [RS-422]	COM2 [RS-485]	COM3 [RS-485]
1	NC*1	TX+	DATA+	NC
2	RX	NC	NC	NC
3	TX	NC	NC	NC
4	NC	RX+	NC	NC
5	GND	GND	GND	GND
6	NC	TX-	DATA-	NC
7	NC	NC	NC	DATA+
8	NC	NC	NC	DATA-
9	NC	RX-	NC	NC

*1 NC: No Connection

FATEK[®] AUTOMATION CORPORATION

26FL., NO. 29, SEC. 2, JUNGJENG E. RD.,

DANSHUEI DIST., NEW TAIPEI CITY 25170, TAIWAN, R.O.C

TEL : +886-2-2808-2192

FAX : +886-2-2809-2618

E-mail : sales@fatek.com
tech@fatek.com

Website : www.fatek.com